



UP TO 210lm/W

IOB02 LED Highbay Light
100W-600W



100+ Patent Certificates
\$1,000,000+ Annual Energy Saving
10,000+ Projects Successfully Installed

OVER YEARS 
10 EXPERIENCE
www.aokledlight.com

> Features of OB02 Series

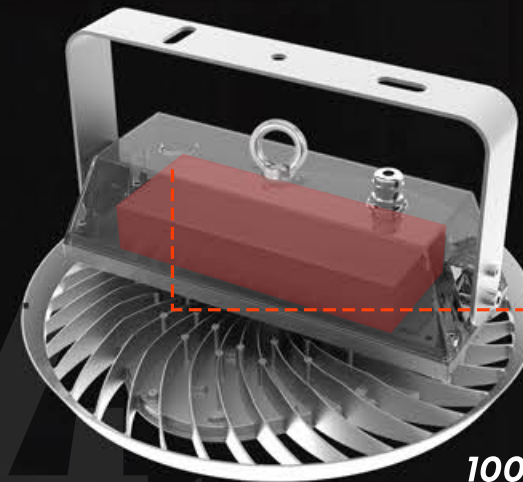
• OB02 series is designed for Indoor and Industrial lighting, a smooth appearance design LED high bay light combined with good heat dissipation makes it both practical and beautiful. It is available in a variety of distributions for lighting applications such as gyms, industrial, multi-purpose rooms in schools, churches, and retails, etc.

- Patented design
- Spiral heat dissipation design, accelerate the air flow away
- ADC12 aluminum die casting housing, perfect heat dissipation
- System efficiency 170lm/W, 210lm/W optional.
- High efficiency driver, PF > 0.95
- Lumileds 2835 LED light source, CRI 70/80
- Available with 30° / 60° / 90° / 120° beam angle
- 3000K / 4000K / 5000K / 5700K / 6500K CCT
- Power & CCT adjustable switch (optional)
- Long life span, L90B50 > 49,000 Hours

UP TO 210 lm/W	100-277V 50/60HZ	Working Temperature Environment -40°C~50°C (-40°F~+122°F)	• 2700K • 3000K • 4000K • 5000K • 5700K
L90B50 >49,000hrs @ 25°C	THD <20%	IP66 IK10	CRI 70/80
3G VIBRATION TESTING	DALI CONTROL	DIM	



400W-600W



100W-300W



CCT & Power Adjustable(Optional)

4 times

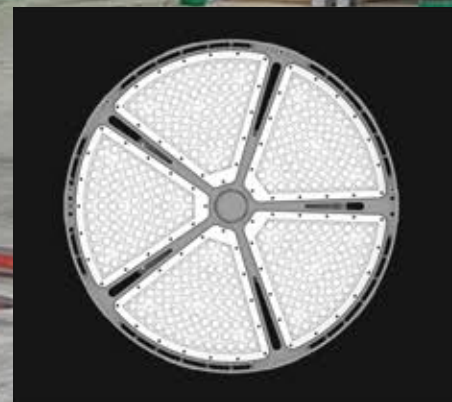
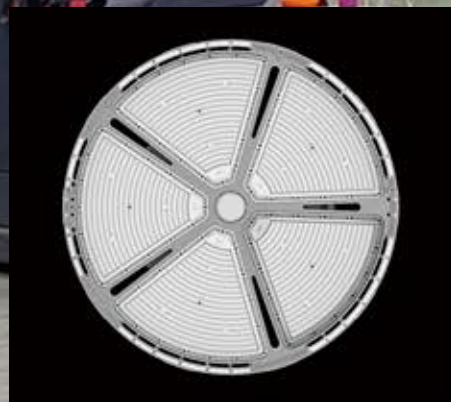
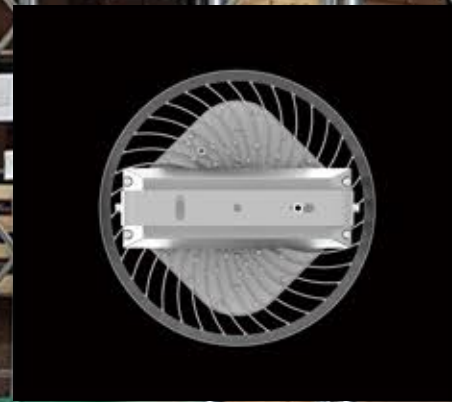
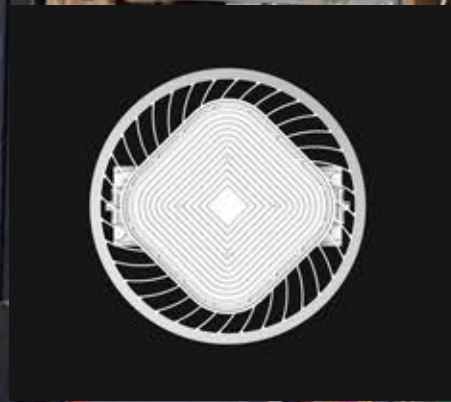
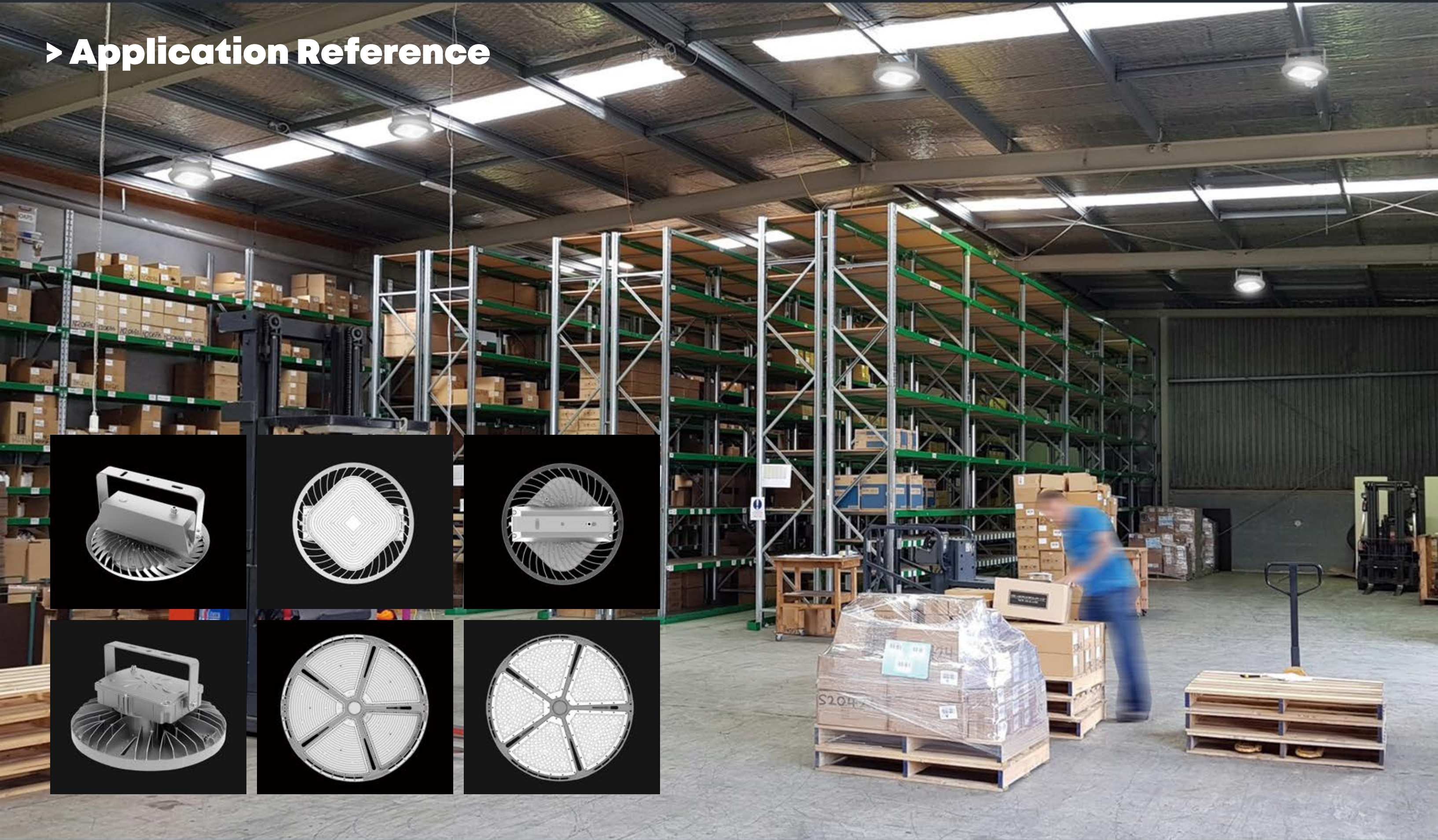
Ample Inner Space

The power supply is assembled inside the driver box.
Cable bend radius: **4 times** diameters.

- Yoke Mount/Hook Mount
- Customizable adjustable outdoor bracket is optional

5 **10** **WARRANTY**
5 Year Limited Warranty,
10 Year Preferred Warranty.
Please consult with our sales for detailed agreement.

> Application Reference



Parameter Table

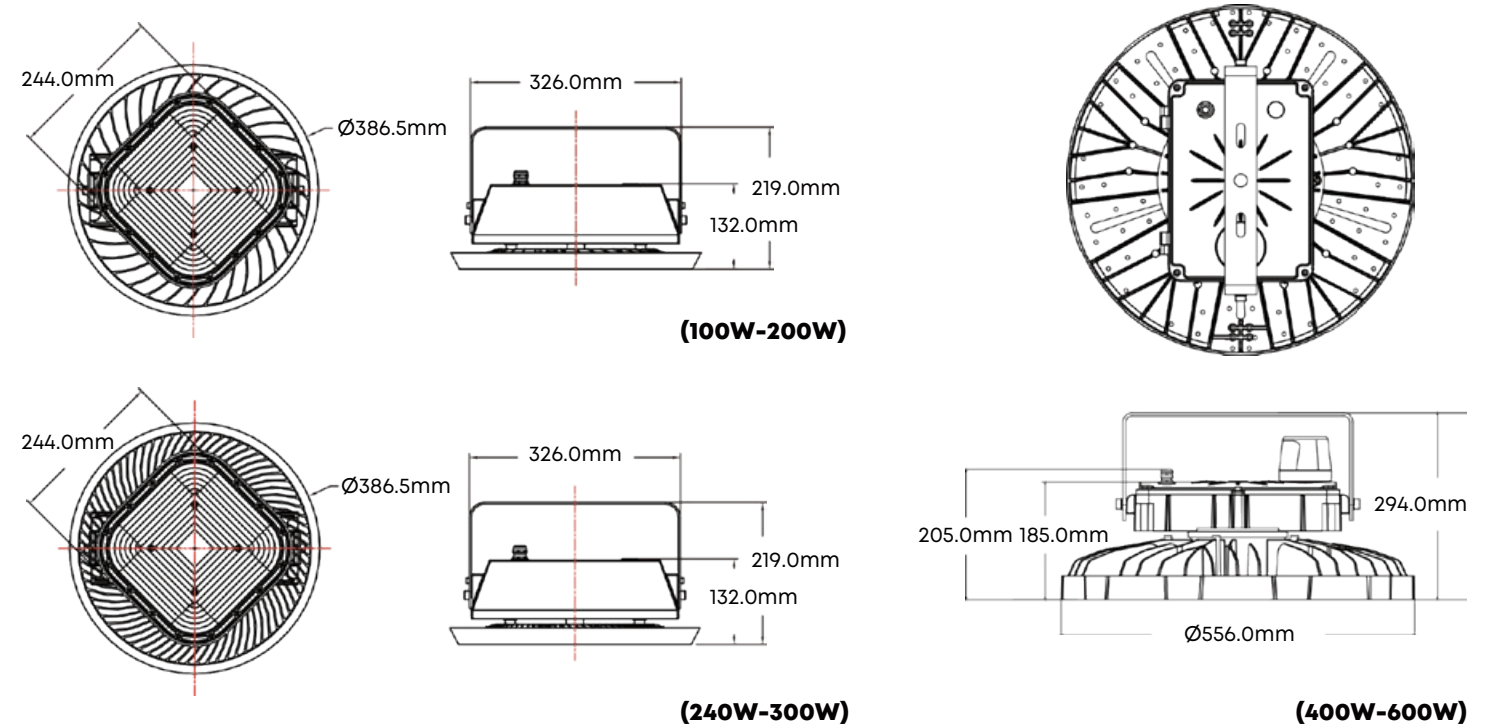
Electrical Data										
Model	AOK-OB02-100W	AOK-OB02-150W	AOK-OB02-200W	AOK-OB02-240W	AOK-OB02-300W	AOK-OB02 (OFU) -400W	AOK-OB02 (OFU) -500W	AOK-OB02 (OFU) -600W		
Power(W)	100W	150W	200W	240W	300W	400W	500W	600W		
Input voltage	100-277V, 50/60Hz; 277-480V optional									
THD	<15%				<15%					
PF	>0.95				>0.95					
Control Option	1-10V/PWM dimming, DALI DI control optional.									
Operating temperature	-40°C to 50°C (-40 °F to 122 °F)									
Driver brand	Inventronics/SOSEN									
Photometric Data										
Standard Efficacy(lm/W, Std. Dev. ±3%, @CRI 80Ra, 5000K)										
30D	/	/	/	/	/	155	155	155		
60D	163	163	163	163	160	165	165	165		
90D	170	170	170	170	165	165	165	165		
120D	166	166	166	166	162	/	/	/		
Standard Luminous Flux (lm, Std. Dev. ±3%, @CRI 80Ra, 5000K)										
30D	/	/	/	/	/	62000	77500	93000		
60D	16300	24450	32600	39120	48000	66000	82500	99000		
90D	17000	25500	34000	40800	49500	66000	82500	99000		
120D	16600	24900	33200	39840	48600	/	/	/		
High Efficacy Optional (lm/W, Std. Dev. ±3%, @CRI 70Ra, 5000K)										
60D	199	199	199	197	/	/	/	/		
90D	207	207	207	205	/	/	/	/		
120D	203	203	203	201	/	/	/	/		
Luminous flux (lm, Std. Dev. ±3%, @CRI 70Ra, 5000K)										
60D	19900	29850	39800	47280	/	/	/	/		
90D	20700	31050	41400	49200	/	/	/	/		
120D	20300	30450	40600	48240	/	/	/	/		
ULOR	= 0%, @ Luminaire inclination 0°									
CCT	2700K, 3000K, 4000K, 5000K, 5700K, 6500K									
CRI	Ra70, Ra80									
Beam angle	60D/90D/120D				30D/60D/90D					
Mechanical Data										
IP/IK	IP66/IK10, according to standard EN 60529 and EN 62262					IP65/IK08				
Vibration resistance	3G, conform to standard IEC 68-2-6.									
Housing/Materials	Heavy-duty die-cast aluminum (EN AC-46100)									
Surface treatment	Anti-UV thermosetting polyester/80 micron epoxy primer + Anti-UV thermosetting polyester (for extremely corrosive environments).									
Painting	Black, Silver Grey, Custom request									
Cable	Pre-wired with a 30 cm cable (Other lengths on request)									
Mounting	Yoke mount/Hook									
LED										
LED Manufacturer	Lumileds/Others									
LED model	2835				2835 (5050 optional)					
Working voltage of single LED (Vf)	8.55	8.55	8.55	8.55	8.58	8.58	8.58	8.58		
Working current of single LED (mA)	17.5mA	17.5mA	17.5mA	17.5mA	20mA	23.5mA	23.5mA	23.5mA		
Lens	Polycarbonate (Better impact resistance than glass)									
Others										
Lifespan (l00mA, Ts=55C)	L90B50-49000 h, L80B50-101000 h, L70B50-159000 h									
Warranty	5 years (Warranty extension up to 10 years on request)									
Certification	UL/cUL/ROHS/CE/CB/TUV, For other certificates please request									
Product size	386.5*386.5*219mm				556*556*294mm					
Carton size	435*435*215mm				610*610*315mm					
Net weight	4.42kg	4.69kg	4.98kg	5.4kg	6.1kg	20kg				
Gross weight	6.02kg	6.29kg	6.58kg	7.4kg	8.2kg	22kg				
Application field	Factory, warehouse, gym, other commercial or industrial indoor area application									

Ordering Information

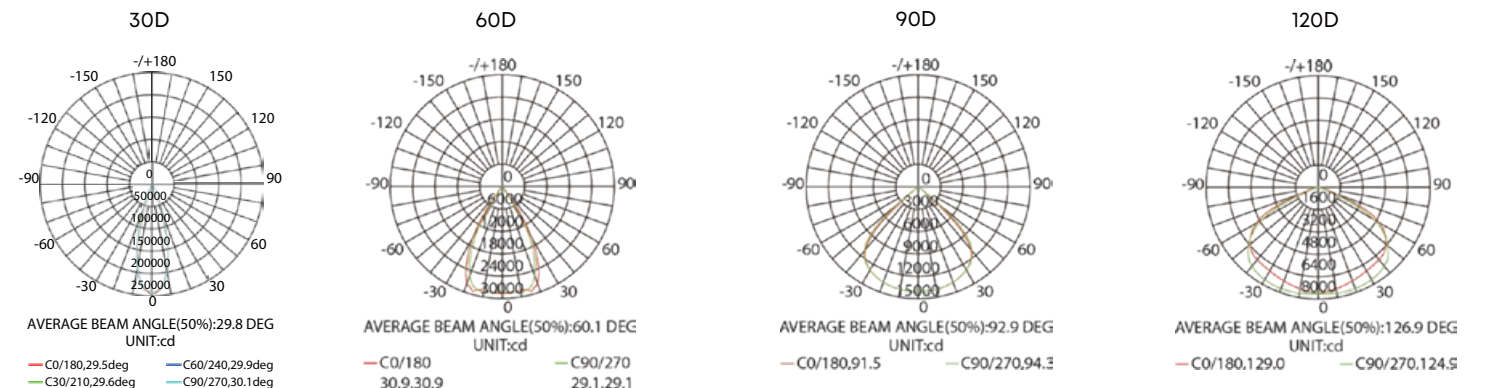
AOK	VOLTAGE	LED CHIPS	TYPE OF SENSOR	CCT&CRI	DISTRIBUTION	MOUNT	OPTION	HOUSING
oB02-100W	NV=100-277V	L2=LUMILED 2835	00=Without Sensor	2770=2700K 70CRI	30D=30deg	U=Yoke	DALI control	SG=Silver Grey
oB02-150W	HV=277-480V	L5=LUMILED 5050	DV=Dimmable	3070=3000K 70CRI	60D=60deg	H=Hook		BK=Black
oB02-200W				4070=4000K 70CRI	90D=90deg			Custom request
oB02-240W				5070=5000K 70CRI	120D=120deg			
oB02-300W				5770=5700K 70CRI				
oB02(OFU)-400W				2780=2700K 80CRI				
oB02(OFU)-500W				3080=3000K 80CRI				
oB02(OFU)-600W				4080=4000K 80CRI				
				5080=5000K 80CRI				
				5780=5700K 80CRI				

Distribution options: 100W-300W L2-(60D/90D/120D); 400W-600W L5-(30D/60D/90D)

Dimension



Photometrics



OB02 Series Specification Sheet

*Due to the constant improvements in product development, individual parameters might change. Please refer to our sales or R&D team for most up-to-date content as specifications are subject to change without notice.



Quality, Honesty, Service and Innovation

Illuminate Your Future



● WARRANTY

5 Year Limited Warranty,
10 Year Preferred Warranty.
Please consult with our sales for detailed agreement.

wally@aokledlight.com

www.aokledlight.com

+1 626-986-4050 (US)

+86 755 2357 9148 (CN)

Manufacturing: Building 1 & 4, St. George's Science and Technology Industrial Park, Shajing Street, Shenzhen, China, 518124.

Fuzhou HQ: Room 301, Yujing Business Center Zone 1, No. 12 Baihuazhou road, Cangshan district, Fuzhou, China, 350007

NorthAmerica HQ: 18541 E Gale Ave, City of Industry, CA91748 USA

Copyright ©2022AOK LED LIGHT CO., LTD. All Right Reserved.